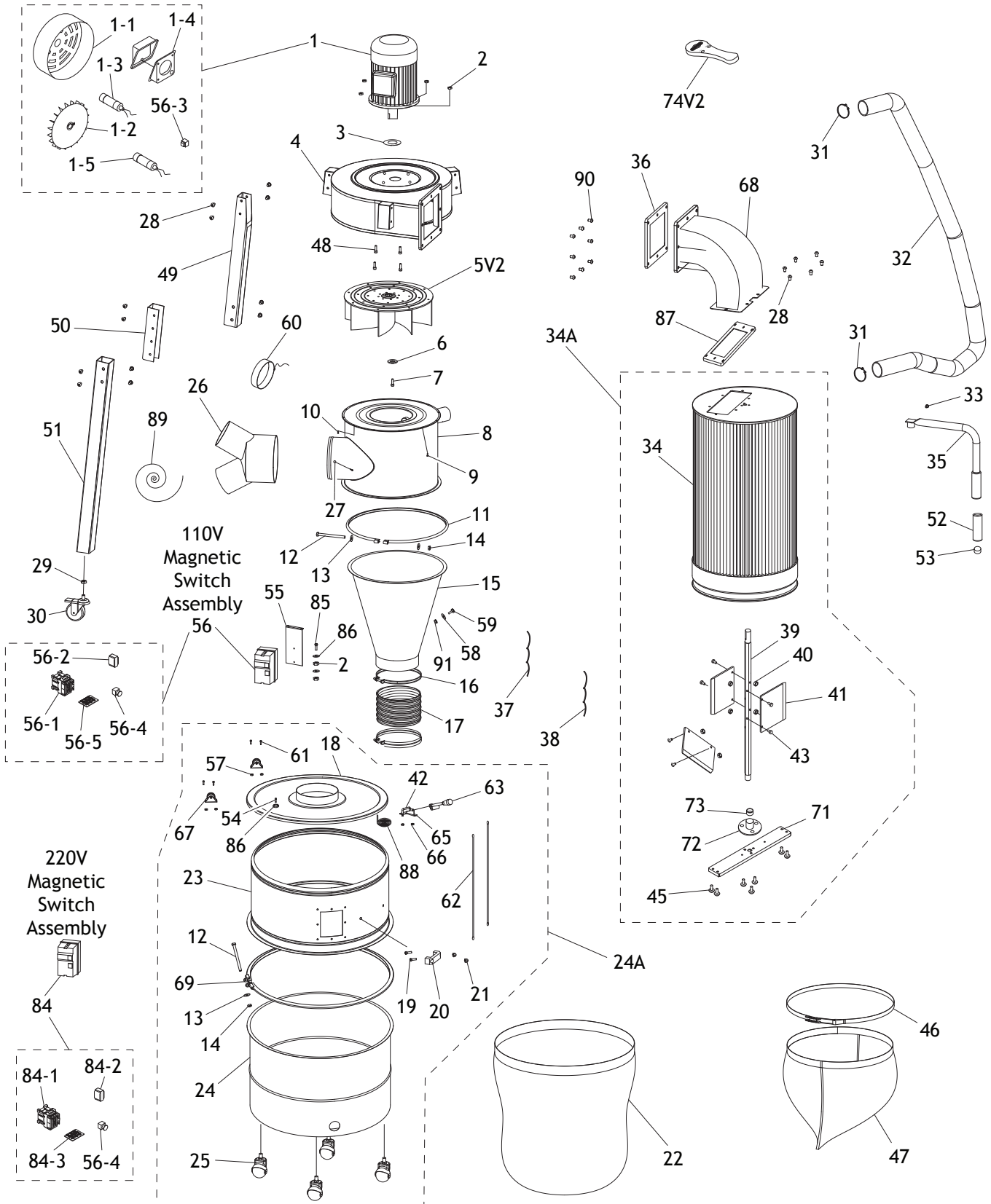


PARTS

Main



PARTS

Main Parts List

REF PART #	DESCRIPTION
1	X1823001 MOTOR 1-1/2HP 120/240V 1PH
1-1	X1823001-1 MOTOR FAN COVER
1-2	X1823001-2 MOTOR FAN
1-3	X1823001-3 S CAPACITOR 250M 250V
1-4	X1823001-4 MOTOR JUNCTION BOX
1-5	X1823001-5 R CAPACITOR 50M 250V
2	X1823002 HEX NUT 5/16-18
3	X1823003 MOTOR SPACER
4	X1823004 BLOWER HOUSING
5V2	X1823005V2 IMPELLER 12-3/4" ALUMINUM V2.10.13
6	X1823006 IMPELLER FLAT WASHER
7	X1823007 CAP SCREW M6-1 X 15 LH
8	X1823008 INTAKE BARREL
9	X1823009 PHLP HD SCR 10-24 X 3/8
10	X1823010 CAP SCREW 10-24 X 3/8
11	X1823011 BARREL CLAMP
12	X1823012 HEX BOLT 1/4-20 X 4
13	X1823013 FLAT WASHER 1/4
14	X1823014 HEX NUT 1/4-20
15	X1823015 CYCLONE FUNNEL
16	X1823016 HOSE CLAMP 7"
17	X1823017 DUST HOSE 7"
18	X1823018 COLLECTION DRUM LID
19	X1823019 PHLP HD SCR 1/4-20 X 5/8
20	X1823020 COLLECTION DRUM HANDLE
21	X1823021 ACORN NUT 1/4-20
22	X1823022 COLLECTION DRUM BAG
23	X1823023 UPPER COLLECTION DRUM
24A	X1823024A COLLECTION DRUM ASSEMBLY
24	X1823024 LOWER COLLECTION DRUM
25	X1823025 COLLECTION DRUM CASTER
26	X1823026 INLET Y-PORT 6" X 4" X 4"
27	X1823027 PHLP HD SCR 10-24 X 3/8
28	X1823028 BUTTON HD CAP SCR 5/16-18 X 1/2
29	X1823029 HEX NUT 10-24
30	X1823030 STAND CASTER W/BRAKE 3"
31	X1823031 HOSE CLAMP 1-3/4"
32	X1823032 VACUUM HOSE 1-1/2"
33	X1823033 SET SCREW M6-1 X 10
34A	X1823034A CANISTER FILTER ASSEMBLY
34	X1823034 CANISTER FILTER
35	X1823035 FILTER CLEANING HANDLE
36	X1823036 OUTLET PORT GASKET
37	X1823037 MOTOR CORD 14AWG 3C
38	X1823038 POWER CORD 14AWG 3C
39	X1823039 FILTER CLEANING ROD
40	X1823040 LOCK NUT 10-24

REF PART #	DESCRIPTION
41	X1823041 FILTER CLEANING FLAPPER
42	X1823042 STEEL WIRE RING
43	X1823043 PHLP HD SCR 10-24 X 3/8
45	X1823045 PHLP HD SCR M5-.8 X 8
46	X1823046 CANISTER BAG CLAMP
47	X1823047 CANISTER BAG
48	X1823048 HEX BOLT 5/16-18 X 3/4
49	X1823049 UPPER STAND LEG
50	X1823050 STAND LEG CONNECTOR
51	X1823051 LOWER STAND LEG
52	X1823052 FILTER CLEANING HANDLE GRIP
53	X1823053 TUBE CAP 1"
54	X1823054 FLANGE SCREW 5/16-18 X 1/2
55	X1823055 SWITCH MOUNTING BRACKET
56	X1823056 MAGNETIC SWITCH ASSEMBLY 110V
56-1	X1823056-1 CONTACTOR SDE MA-15 110V
56-2	X1823056-2 TRANSFORMER GDM 0-120V
56-3	X1823056-3 THERMAL RELAY YEU SHANG 28A
56-4	X1823056-4 STOP BUTTON
56-5	X1823056-5 CIRCUIT BOARD 110V
57	X1823057 LOCK NUT 10-24
58	X1823058 FLAT WASHER 1/4
59	X1823059 HEX BOLT 1/4-20 X 3/4
60	X1823060 INLET PORT CAP
61	X1823061 PHLP HD SCR 10-24 X 1/2
62	X1823062 STEEL BRAIDED WIRE 1.5MM DIA
63	X1823063 LID CLAMPING HANDLE ASSY
65	X1823065 CLAMPING HANDLE BRACKET
66	X1823066 LOCK NUT 10-24
67	X1823067 PULLEY ASSEMBLY
68	X1823068 OUTLET PORT
69	X1823069 COLLECTION DRUM CLAMP
71	X1823071 CLEANING ROD SUPPORT
72	X1823072 CLEANING ROD BASE
73	X1823073 BUSHING
74V2	X1823074V2 RF REMOTE CONTROL WITH SF LOGO V2.03.16
84	X1823084 MAGNETIC SWITCH ASSEMBLY 220V
84-1	X1823084-1 CONTACTOR SDE MA-18 220V
84-2	X1823084-2 TRANSFORMER GDM 0-230V
84-3	X1823084-3 CIRCUIT BOARD 220V
85	X1823085 BUTTON HD CAP SCR 5/16-18 X 1
86	X1823086 FLAT WASHER 5/16
87	X1823087 CANISTER FILTER TOP GASKET
88	X1823088 FOAM TAPE 1" X 64"
89	X1823089 GROUND WIRE
90	X1823090 BUTTON HD CAP SCR 5/16-18 X 3/4
91	X1823091 LOCK NUT 1/4-20

Label Placement

⚠️ WARNING

Safety labels warn about machine hazards and how to prevent serious personal injury. The owner of this machine **MUST** maintain the original location and readability of all labels on this machine. If any label is removed or becomes unreadable, **REPLACE** that label before allowing machine to be operated again. Contact us at (360) 734-3482 or www.shopfoxtools.com to order new labels.



W1823

REF	PART #	DESCRIPTION
75	X1823075	MACHINE ID LABEL
76	X1823076	READ MANUAL LABEL
77	X1823077	EYE/LUNG HAZARD LABEL
78	X1823078	HEAR HAZARD LABEL
79	X1823079	ELECTRICITY LABEL

REF	PART #	DESCRIPTION
80	X1823080	MODEL NUMBER LABEL
81	X1823081	INLET WARNING LABEL
82	X1823082	SF WHITE TOUCH-UP PAINT
83	X1823083	SF BLACK TOUCH-UP PAINT